

Grey Birch MFG

La Chassis TKD Manual



GREY BIRCH MFG INC. TAMPA, FLORIDA, USA.
Available Worldwide.

If you were faced with a threat to your livelihood



you'd carry a Grey Birch.

A man's home is his castle. And no creature is going to threaten the well being of the livestock. When the hen's have come home to roost and the fox's are licking their chops, the Grey Birch Adventurer is the tool of choice. If your blue collar sensibilities tell you anything it's that a traditional gun stock just looks and feels right. There is no sacrificing accuracy and consistency. Heirloom quality rural defense.



GREY BIRCH MFG INC. TAMPA, FLORIDA, USA.
Available Worldwide.



All Grey Birch products are made in Tampa, Florida with an obsessive focus on design and functionality.

When you purchase a Grey Birch product, not only are you supporting a small business directly, you are supporting many small businesses indirectly.

By manufacturing locally, it allows us to be as close to the process as possible to ensure the highest level of quality is achieved.

We are confident and proud to be putting out world class products that you can enjoy for a lifetime...

— **You never really own a Grey Birch, you simply take care of it for the next generation** —

Welcome to the Grey Birch family.



FIREARM SAFETY

We take firearm safety dead serious. Literally.

- Assume every firearm is loaded.
- Control the muzzle direction at all times.
- Always point your firearm in a safe direction.

Remove the magazine from the firearm.

- Observe the chamber to ensure it is empty.
- Open the bolt and remove from the action if possible.
- Once your firearm has been proven safe you can begin modifying or cleaning.

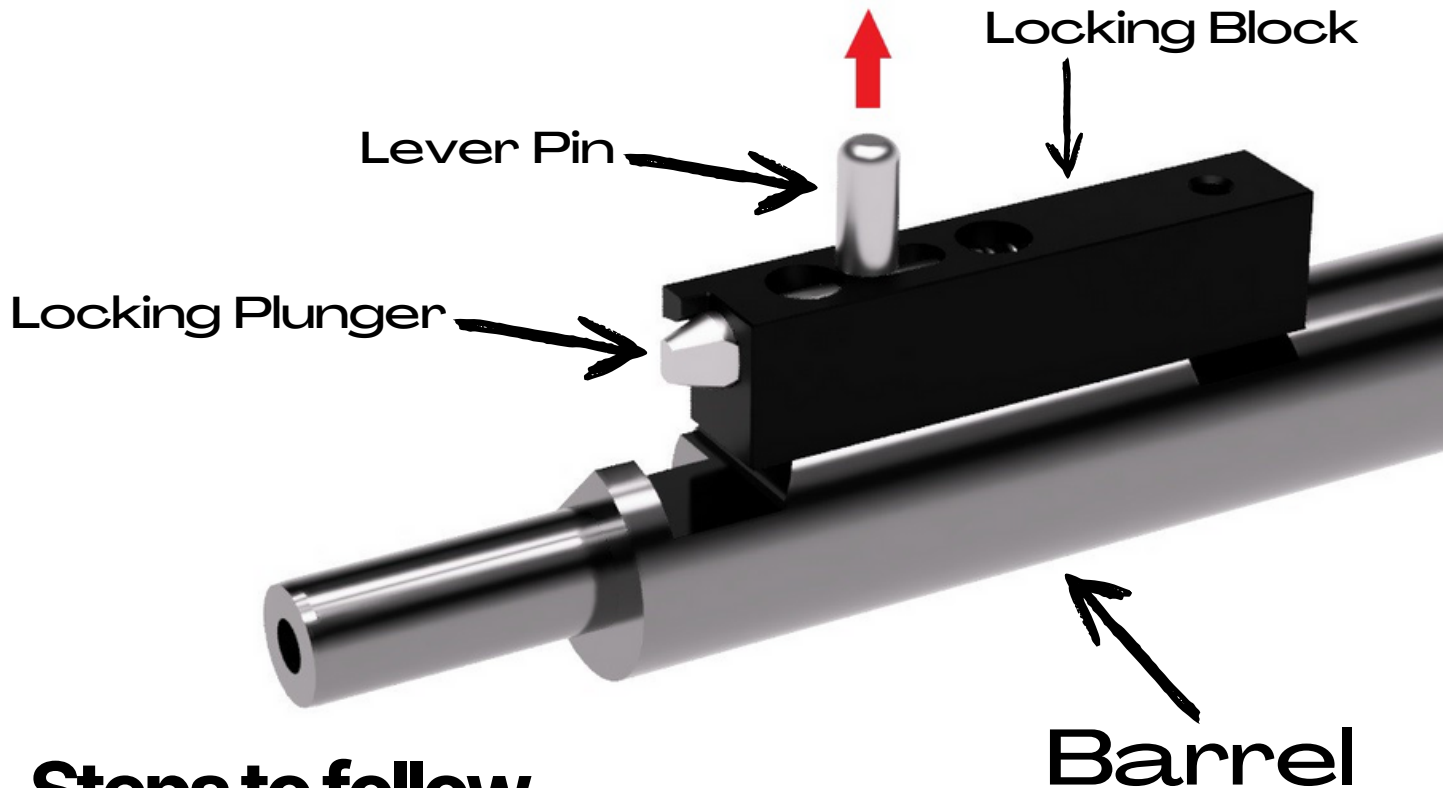
Please ensure approved eye and ear protection is worn at all times.

*Be aware of the laws in your country and region concerning overall rifle length and folding stocks. It is up to you — the end user — to ensure you maintain compliance.

Grey Birch ships all stocks in the fixed position.



10/22 FOREND DISASSEMBLY

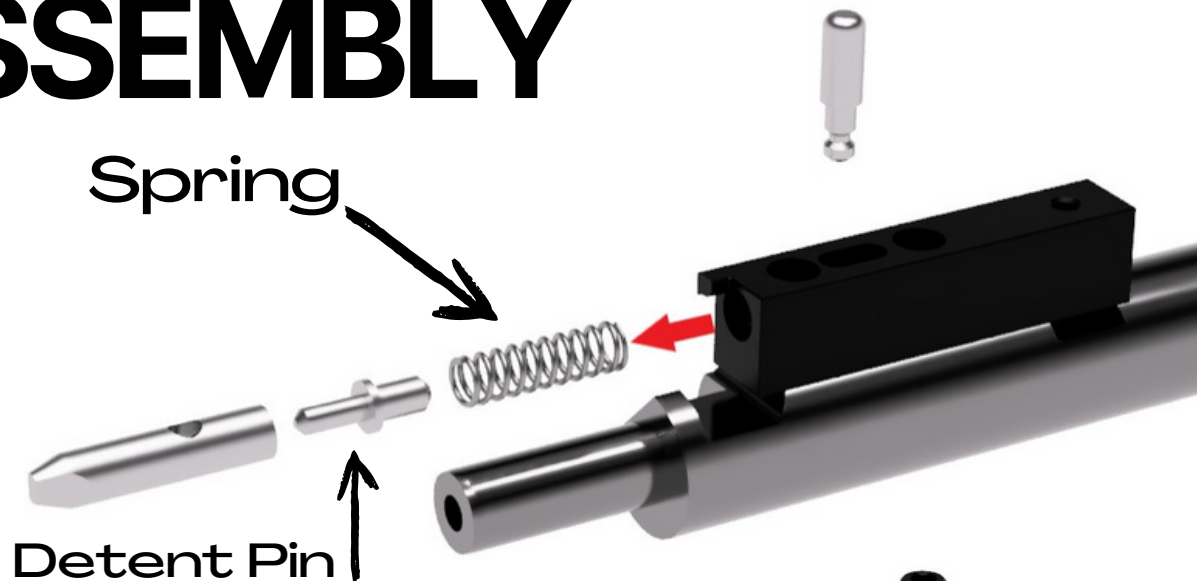


Steps to follow

- To start disassembling your 10/22 takedown, undo the single screw located on the underside of the forend and remove the barrel and locking assembly. The barrel and locking assembly is pictured in the image to the right.
- The original locking block will not be used with LaChassis TKD, however, the internal components of the block will be installed directly into the LaChassis TKD forend.
- Firmly pull up on the lever pin to remove it. The lever pin retains the locking plunger and spring in the locking block.
- The plunger is under spring pressure and will shoot out of the locking block when the lever pin is removed unless it is held in place with your thumb. Be careful you do not lose any parts ... or your eye. "You'll shoot your eye out kid".

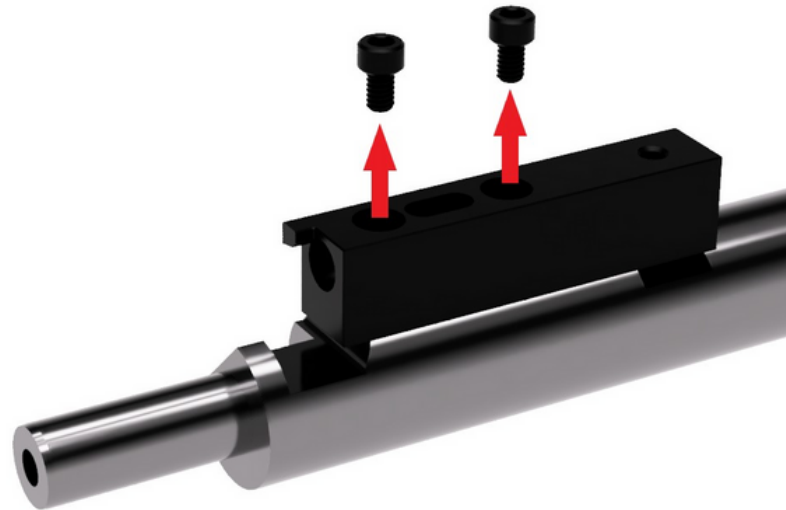


LOCKING MECHANISM DISASSEMBLY



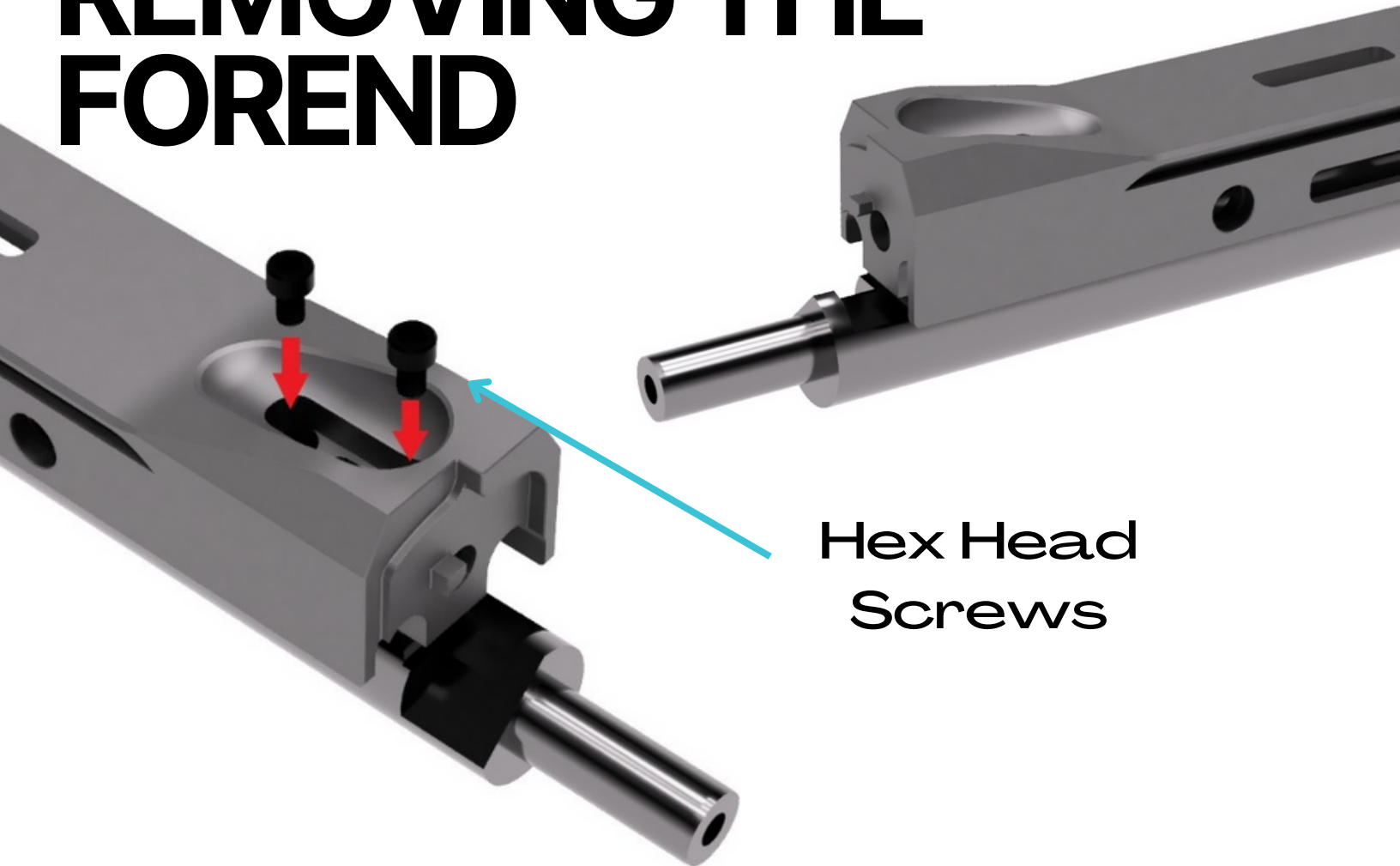
Steps to follow

- With the lever pin removed, the plunger, detent pin, and spring will simply slide out of the locking block.
- Unless of course you failed to keep your thumb on the plunger and launched them across the room.
- If so, happy hunting. Keep these parts safe for later.
- Next, remove the two screws holding the locking block to the barrel with a 9/64 hex.
- These screws will be used later, however the locking block will no longer be needed.





INSTALLING OR REMOVING THE FOREND

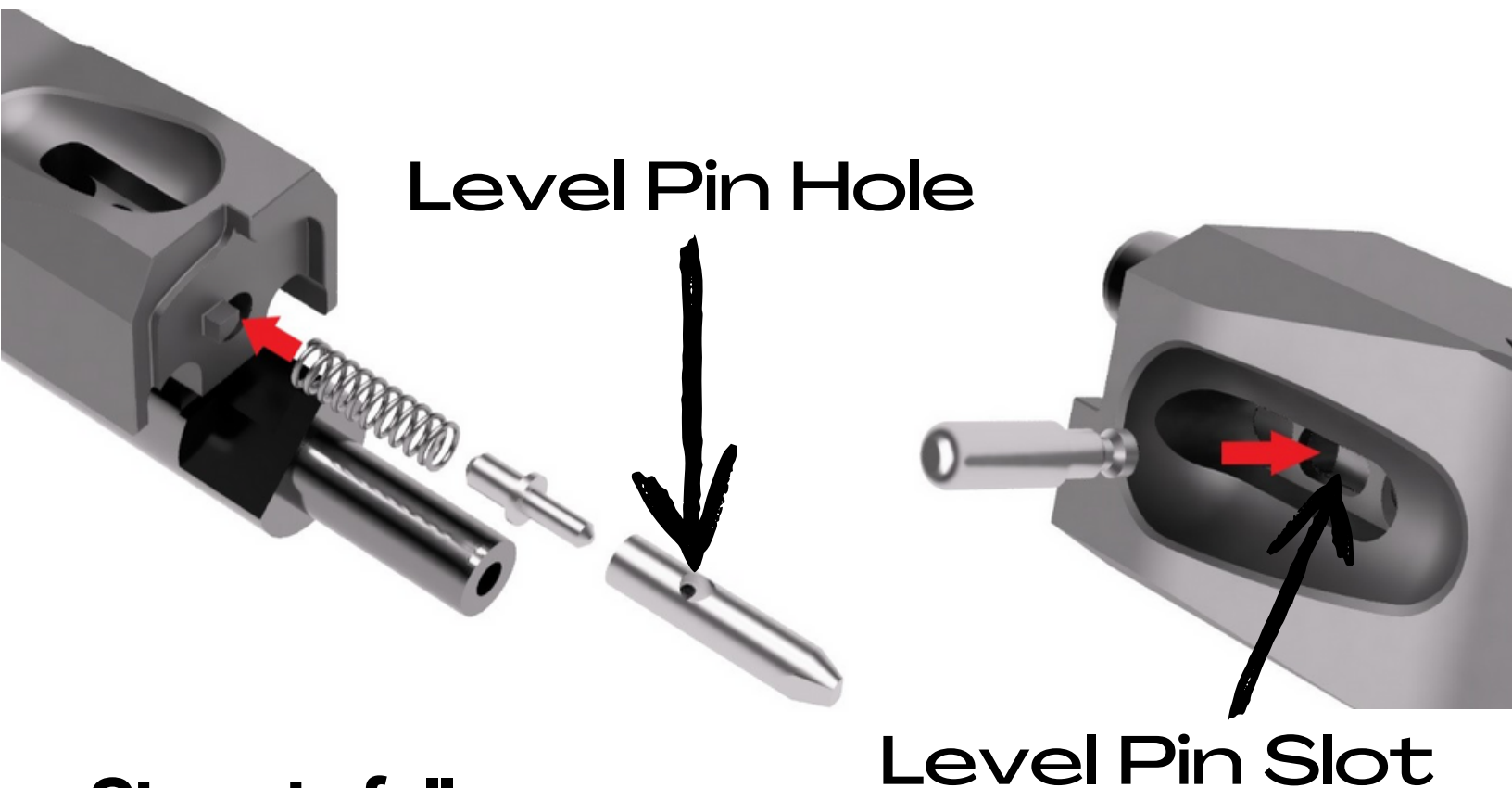


Steps to follow

- Place the forend on the barrel as shown, being careful to line up the mounting holes with the holes in the barrel.
- Insert the 9/64 hex head screws you removed from the original locking block into the mounting holes on the forend.
- Very gently snug the screws first so that you can still wiggle the forend side to side. Align the forend nice and straight on the barrel, then torque to 25 in/lb.



INSTALLING THE LOCKING MECHANISM

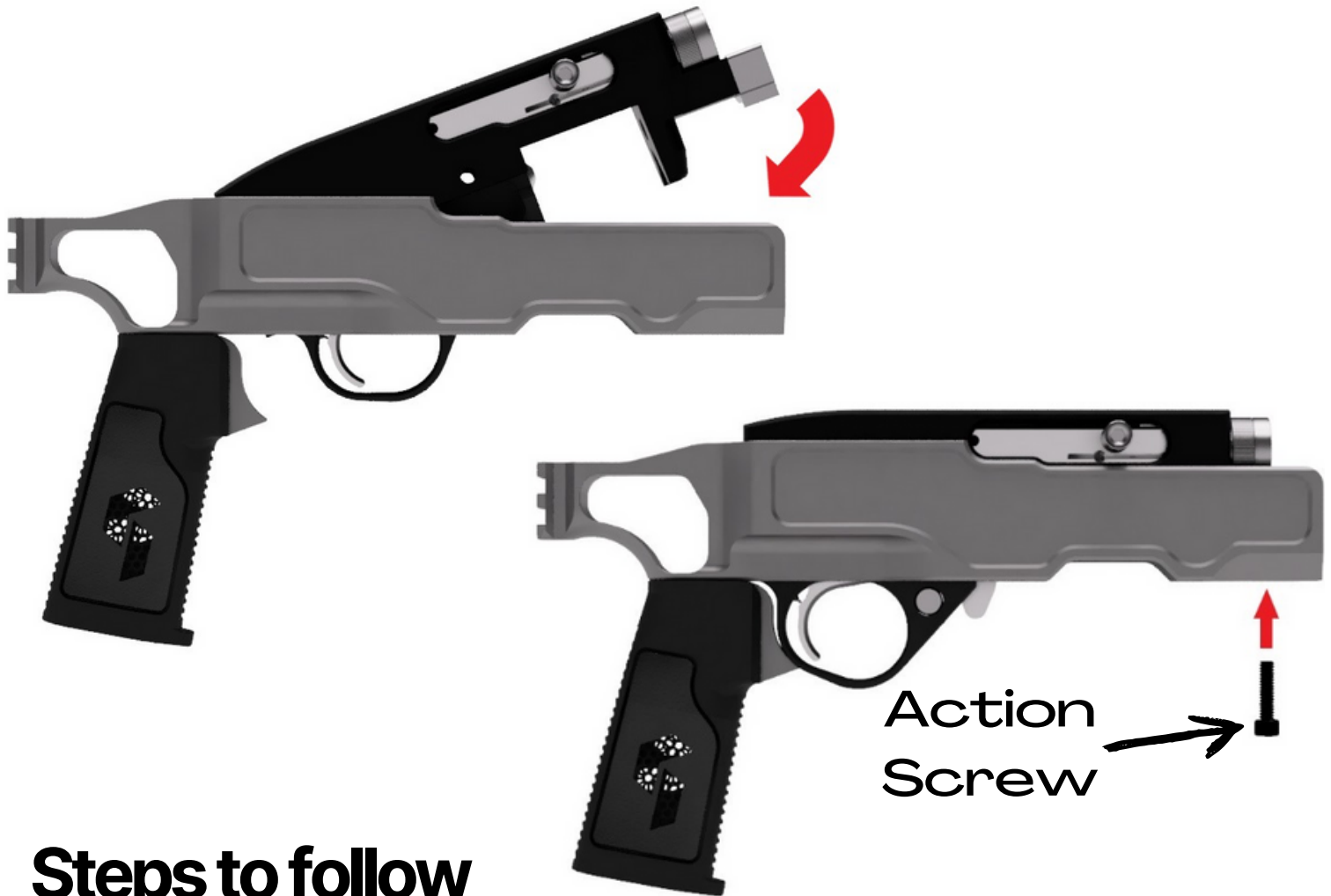


Steps to follow

- With the screws torqued to spec, you can now reinstall the spring, detent pin, and locking plunger into the forend.
- Make sure the lever pin hole in the plunger is aligned with the lever pin slot in the forend.
- Compress the plunger so that the lever pin hole is visible in the lever pin slot.
- Insert the lever pin into the hole and push it firmly until it snaps into place.
- The forend installation is complete.



INSTALLING THE RECEIVER

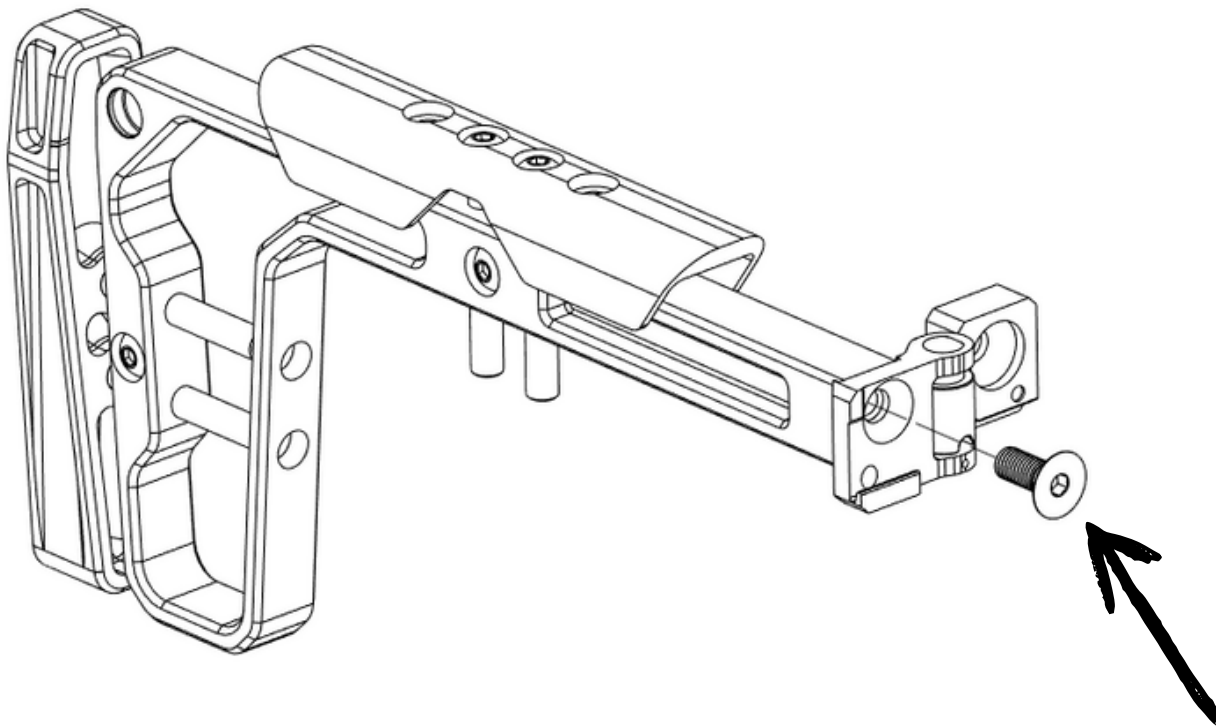


Steps to follow

- Remove the Receiver from the original stock by undoing the single screw in front of the magazine well.
- Pull up firmly on the receiver to separate it from the stock.
- To install, place the rear of the receiver into LaChassis TKD first (as shown in the top image), and then drop the front end down into place.
- Insert the supplied action screw into the hole just in front of the magazine well and torque to 25 in/lb using a 5/32" hex.



INSTALLING OR REMOVING THE STOCK

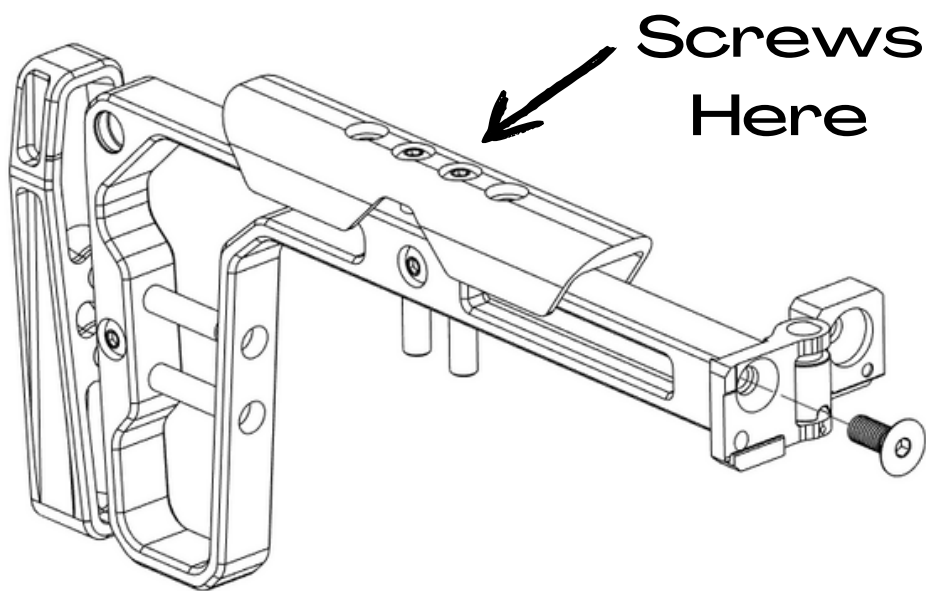


Steps to follow

- Place folding adapter assembly with the corresponding outline (square) on the front of the stock and secure with 30 in/lb with a 5/32"
- Do the same on the back of the chassis and secure with 30 in/lb with a 5/32"



ADJUSTING THE CHEEK WELD LOCATION

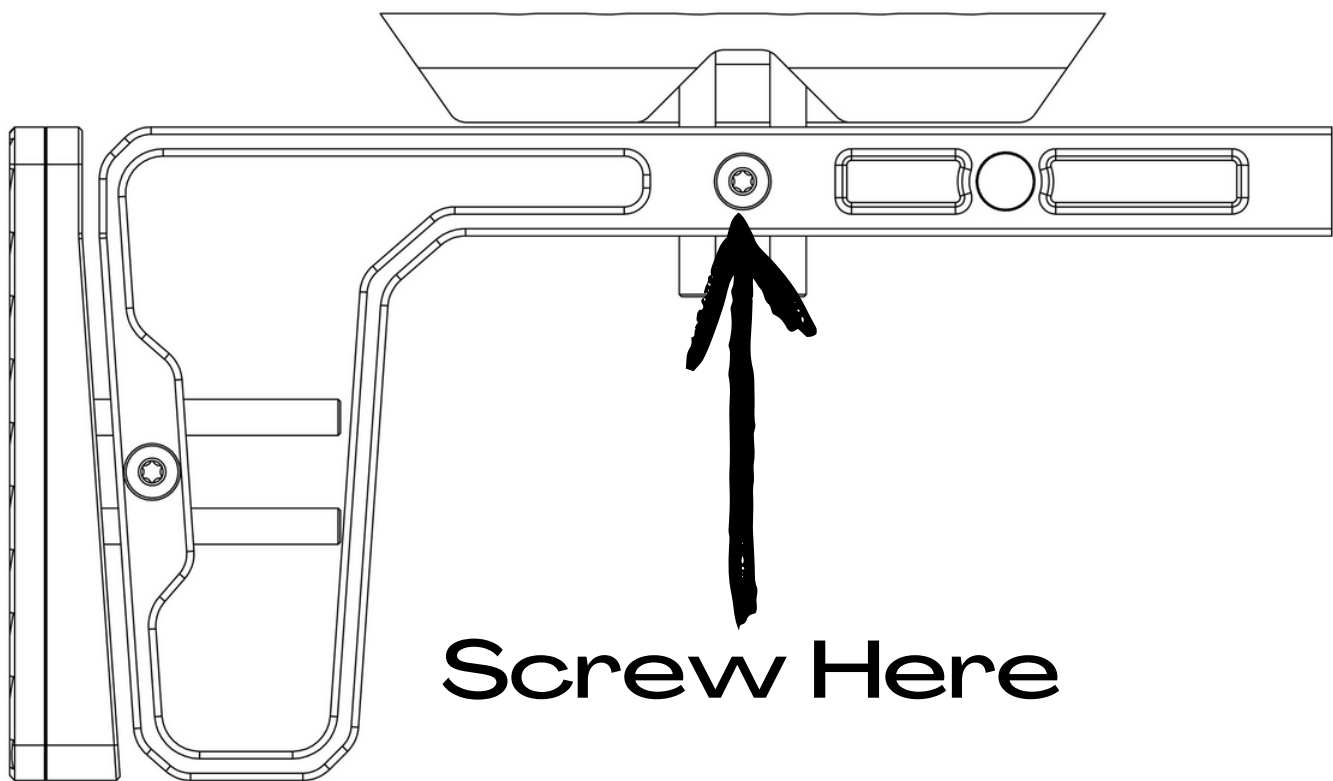


Steps to follow

- Using a 1/8" hex key, remove the two screws on the top of the cheek weld. Don't lose those pillars.
- With the screws removed, shift the position of the cheek weld forward or backwards as desired.
- With the cheek weld in position, tighten the two screws through the cheek weld into the pillars behind it.
- Hand tighten only.



ADJUSTING THE CHEEK WELD HEIGHT

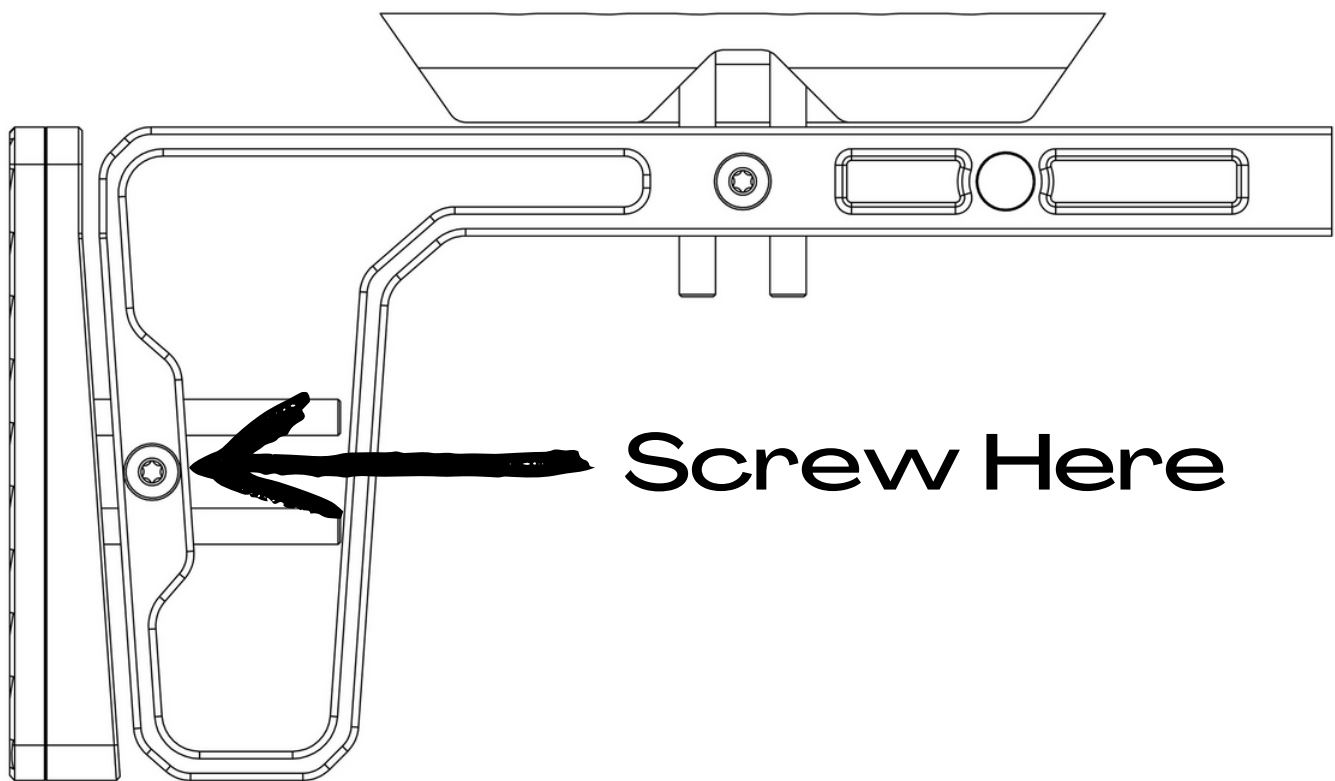


Steps to follow

- Using a 1/8" hex key, loosen off the screw to allow vertical movement of the check weld.
- When the desired height is achieved, tighten the screw to hand tight.
- Do not over tighten as it can damage the threads on the backer plate.
- Tighten to max 15 in/lbs.



ADJUSTING THE LENGTH OF PULL

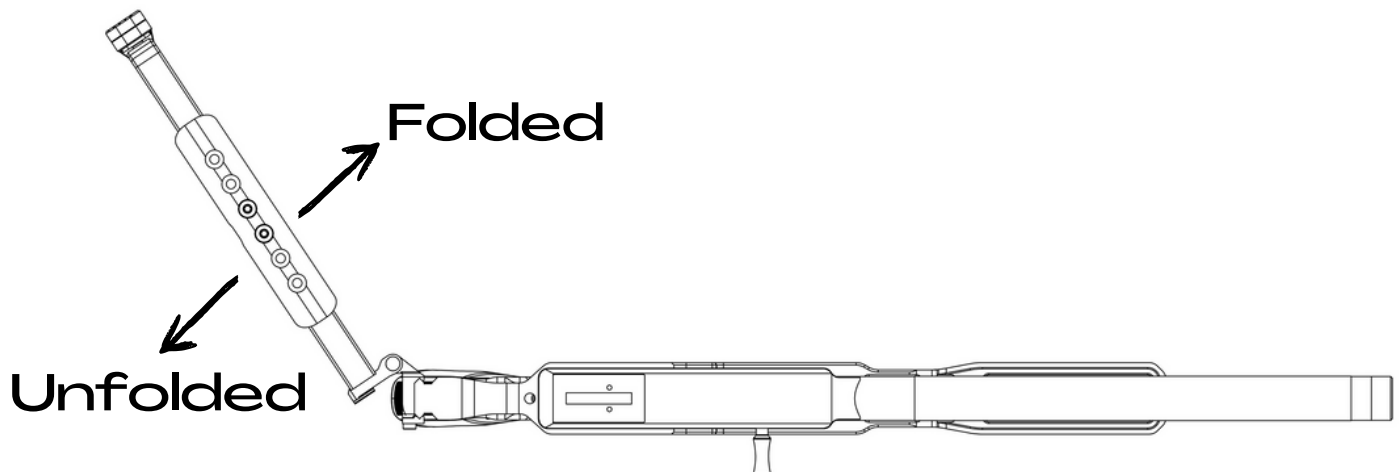
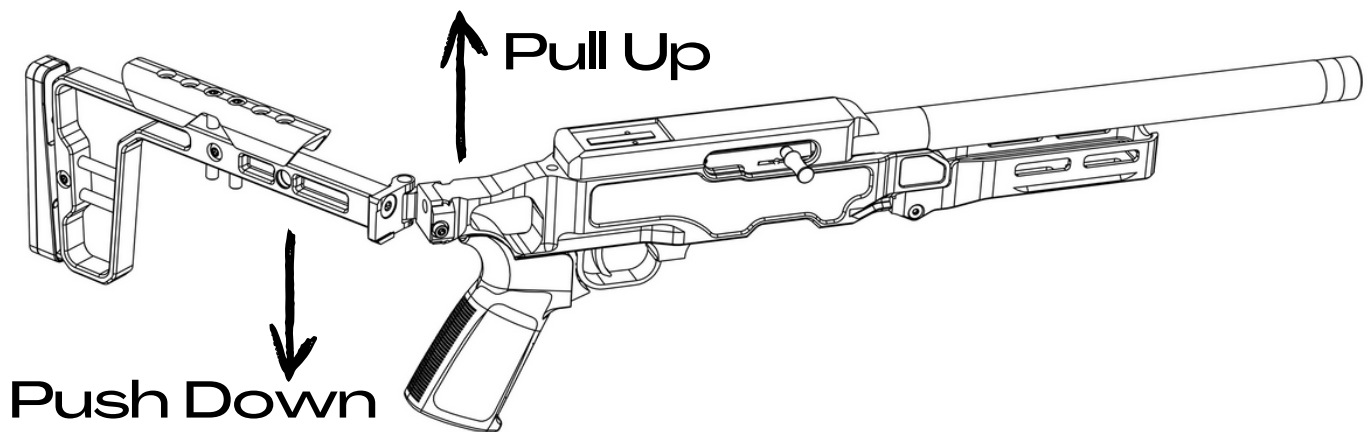


Steps to follow

- Using a 1/8" hex key, loosen off the screw to allow horizontal movement of the shoulder plate.
- When the desired length of pull is achieved, tighten the screw to hand tight.
- Do not over tighten as it can damage the threads on the backer plate.
- Tighten to 15 in/lbs.



OPERATING THE FOLDING STOCK



Steps to follow

- Push the stock down while lifting the rifle up.
- The stock will swing towards the rifle into the folded position.
- To unfold the stock, swing the stock away from the rifle and it will lock into position.

A stylized world map in shades of purple and teal, centered on the Atlantic Ocean, serving as a background for the main text.

Available WorldWide



GREY BIRCH MFG INC. TAMPA, FLORIDA, USA.
Available Worldwide.